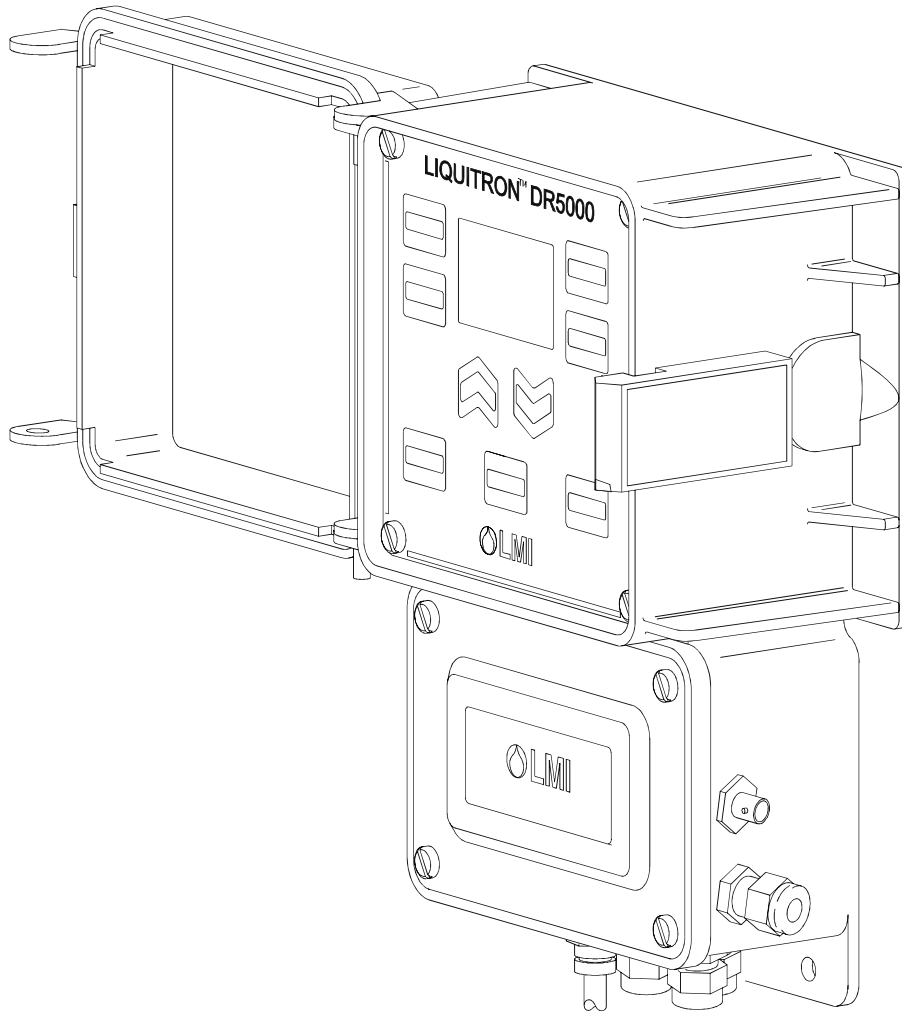




LMI[®]

an Accudyne Industries brand



LIQUITRON™ DR5000 Series ORP Controller

Data Sheet

Manual No : 1738

Rev. : E

Rev. Date : 11/2015



LMI[®]

an Accudyne Industries brand




**APPLICATIONS**

- Cooling Water
- Waste Treatment
- Surface Finishing
- Chlorination
- De-Chlorination
- Food Processing

The DR5000 is a dual-channel ORP (redox) Controller providing either relay or proportional pulse outputs to drive chemical metering pumps. A custom backlit display provides constant information regarding controller and system conditions.

High and low alarm points, delay and limit timers, and other user programmable features make the DR5000 the most adaptive ORP (redox) Controller available.

FEATURES

- Custom Backlit LCD Display
- High and Low Set Points
- Limit Timers for Each Output
- ±2000 mV Scale
- ORP Programmable Response Delay
- 4-20 mA Recorder Output (Option)
- Proportional Pulse or Relay Output both Standard
- ,  and  certified

DISPLAY ITEMS

- Current mV Value
- Current mA Output Level
- Current Pump Speed
- Timer Settings and Readings
- Alarm Conditions

ENCLOSURE**NEMA 12X Type (prewired version)**

Hard wiring makes the unit suitable for NEMA 4X applications

Material (Housing)

Flame retardant, molded TPE

Material (Cover)

Clear molded polycarbonate, padlockable

Environment

- 32° F to 122° F (0° C to 50° C)
- 0 to 95% Relative Humidity (non-condensing)

Hardware

115 VAC & 230 VAC Proportional units provided with a 6 ft (2 m) grounded power cord & plug and two 10 ft (3 m) output cables for direct connection to '7' and '9' Series LMI® pumps.

115 VAC ON/OFF units provided with 6 ft (2 m) grounded power cord & plug and two 1 ft (30 cm) output power cords with grounded receptacles for pumps.

230 VAC ON/OFF units provided with 6 ft (2 m) grounded power cord & plug and throughput connectors for hardwire connection of pumps.

LIQUITRON™ DR5000 SERIES ORP CONTROLLER DATA SHEET

ELECTRICAL

Input

- 115 VAC, 50/60Hz or
- 230 VAC, 50/60Hz

Control Output (ON/OFF)

- Five (5) relays, 10 amp @ 115 VAC, 5 amp @ 230 VAC, Unit fused for 10 amp total load.

Control Output (Proportional)

- Pulse output signal (100 ms pulse width), open collector

Alarm Output

- Switch closure
- 2 relays, 10 amp @ 115 VAC (5 amp @ 230 VAC)
- 1 relay for pump A, 1 relay for pump B

Signal Input

- BNC type

Data Output

- 4-20 mA spanning the ORP range

OPERATIONAL

Display

- Custom multiline backlit LCD

ORP Scale

- ± 2000 millivolts

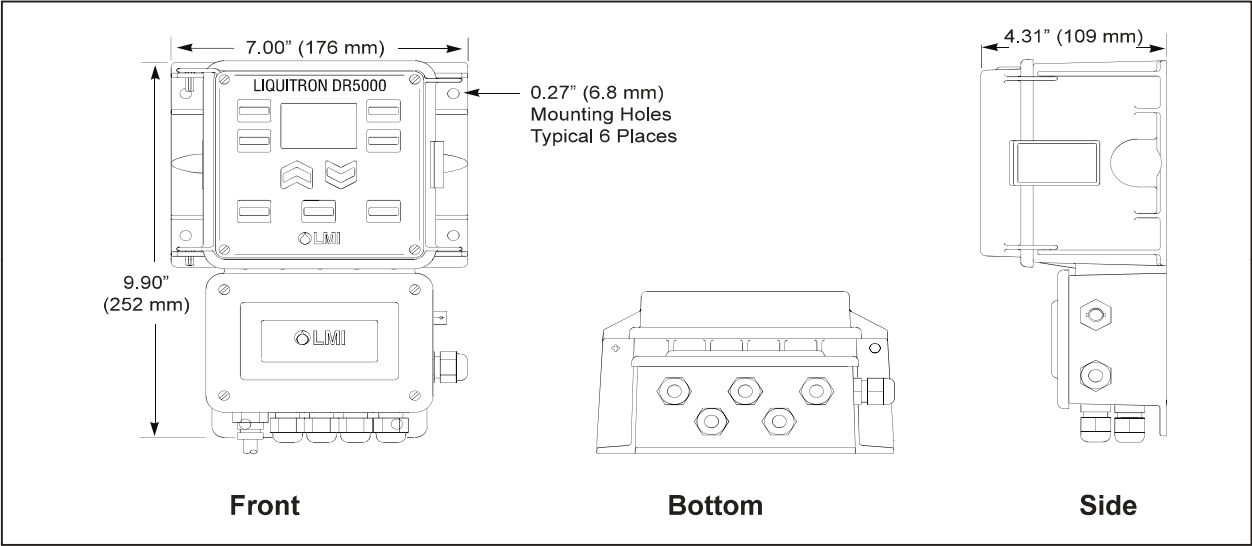
Limit Timers

- Adjustable 0-11 hours

Differential (hysteresis)

- Keypad adjustable

DIMENSIONS



We are a proud member of Accudyne Industries, a leading global provider of precision-engineered, process-critical, and technologically advanced flow control systems and industrial compressors. Delivering consistently high levels of performance, we enable customers in the most important industries and harshest environments around the world to accomplish their missions.



LMI® is a registered trademark of Milton Roy, LLC.
LIQUITRON™ is a trademark of Milton Roy, LLC.
© 2015, 1999 Milton Roy, LLC.

info@lmipumps.com
www.lmipumps.com

